

A MEDIA INDEPENDENT DOCUMENT MANAGEMENT COMPANY



EYE COMMUNICATION SYSTEMS, INC.

455 E. Industrial Drive

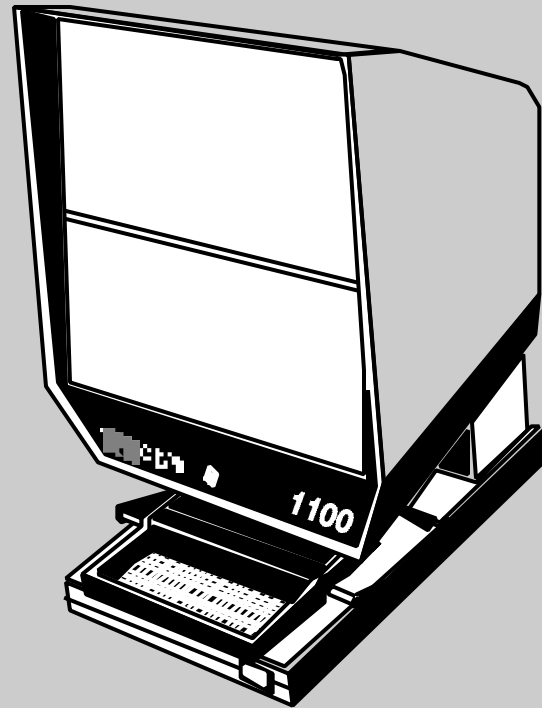
P.O. Box 620

Hartland, WI 53029 USA

(262) 367-1360 or (800) 558-2153

Fax: (262) 367-1362

www.eyecom.com



The Eye Com 1100 Single Lens/Eye Com 1100 Dual Lens Reader Operating and Maintenance Instructions

To ensure correct use of this equipment, please read this operating manual and keep for future reference.

Unpacking:

1. Remove top insert and lift from container.
2. Remove plastic enclosure.
3. Remove magnetic index grid.
4. Pull fiche carrier forward until top glass begins to open.
5. Remove the cardboard insert.
6. Remove warranty card between the carrier glass. (Fill out and return to Eye Com.)
7. Replace index grid.
8. Remove tape from viewing screen
9. On dual lens model, remove viewing screen. Remove lens insert. Replace screen.

Operating Instructions:

1. Plug in unit and turn on.
2. Pull carrier forward until glass opens.
3. Insert microfiche or jacket between upper and lower glass against rear stop and push carrier back.
4. Focus image by turning focus knob located in front, directly below viewing screen.
5. On dual lens model only, slide lever located in front to change from high to low magnification.

Lamp Replacement

(Figure 1 & 2):

1. Disconnect the power cord.
2. Remove lower glass and upper glass assembly. Then push carrier forward until it stops.
3. Tip unit on its back to expose the bottom.
4. Remove the lamp access door.

CAUTION: Allow lamp to cool before attempting to remove it.

5. Extract lamp from its holder and disconnect the socket. Be careful not to touch the bulb portion of the new lamp. Oils will decrease lamp life and dim the image.
6. Replace lamp with the type shown on data plate.
7. Replace access door. Replace lower and upper glass assembly.
8. Reconnect power cord.

Maintenance:

Maintenance of your Eye Com reader is limited to periodic cleaning of viewing screen, upper and lower carrier glass, lenses and mirrors.

Carrier Glass Removal and Cleaning

(Figure 3):

1. Push carrier to the rear until it stops.
2. Move carrier to its far left position.
3. Remove upper glass assembly.
4. Reach under back of the plastic carrier frame, push up and pull out lower glass.
5. Clean lower and upper glass with Data Vu Cleaning Mist.

NOTE: While the carrier glass plates are disassembled the top of the condenser lens can be cleaned with Data Vu Cleaning Mist and a soft non-abrasive cloth.

NOTE: When reassembling carrier glass, push upward on lens barrel with the upper carrier glass.

Viewing Screen Removal and Cleaning:

1. Remove screen with screen tabs by lifting screen up and out.
2. Clean the screen with Data Vu Cleaning Mist, using a soft, non-abrasive cloth.



Figure 1



Figure 2



Figure 3

Objective Lens

1. With screen removed, the objective lens can be easily removed for cleaning.
2. On single lens model only, pivot the small mirror bracket toward the rear. .
3. On dual lens model only, shift lever to low to remove the high magnification lens.
Reverse procedure to remove low magnification lens.
4. Grasp the top of the lens with your fingernails and pull it up and out.
5. Brush loose dust and dirt from the exposed lens elements with a soft brush.
6. Wipe the lens elements with a soft, non-abrasive cloth.
7. On single lens model, replace the lens and pivot the mirror to its original position.
On dual lens model, replace the lenses.
8. Replace the viewing screen.

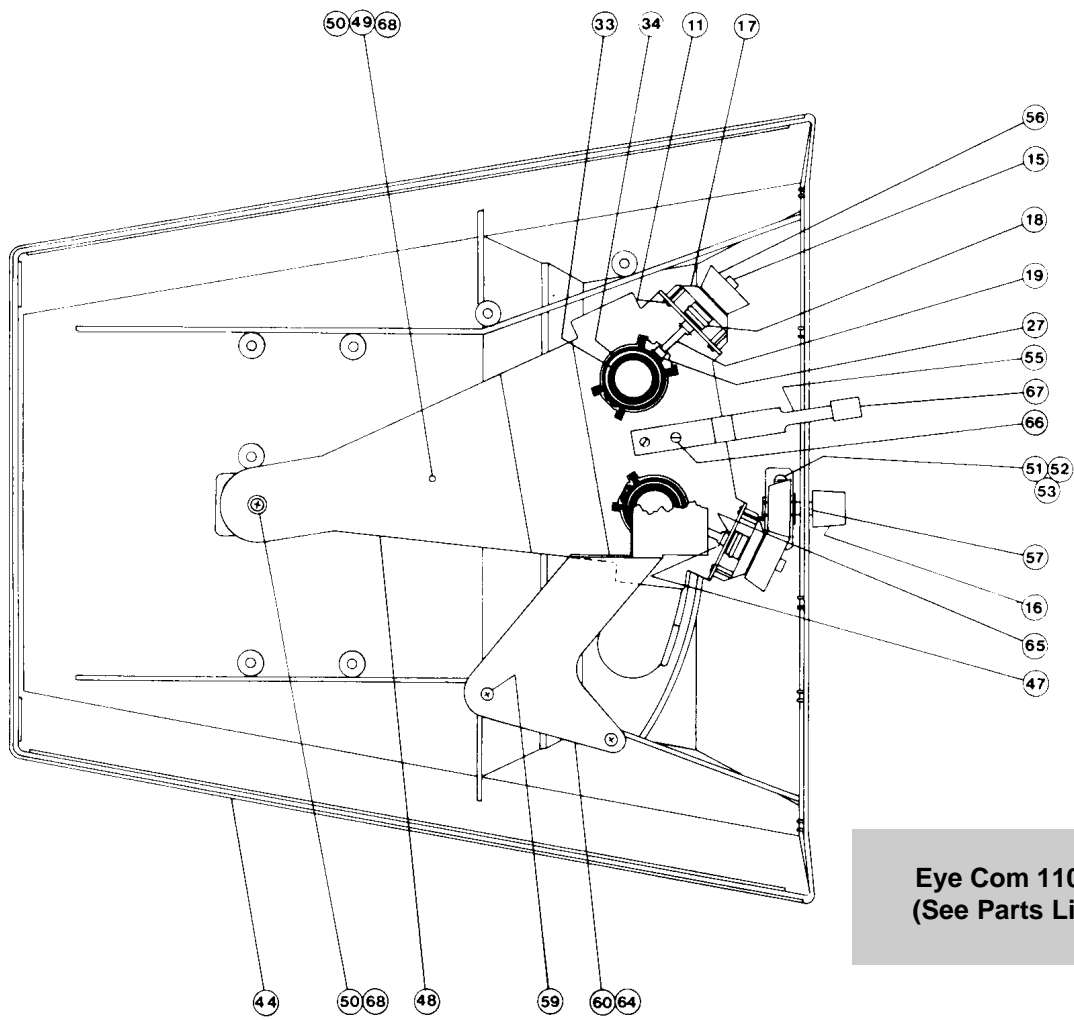


Figure 4

Mirrors

There are three mirror in the Eye Com readers. The first mirror is located on the hinged bracket in the single lens model. The dual lens first mirror is located on a fixed bracket. The second mirror is mounted on the inside of the upper half hood. The third mirror (condenser) is located directly opposite the readers lamp (this mirror can be reached by removing the lamp access door). The mirrors have a special front surface coating and are susceptible to scratching. To clean, use Data Vu Cleaning Mist and a soft, non-abrasive cloth.

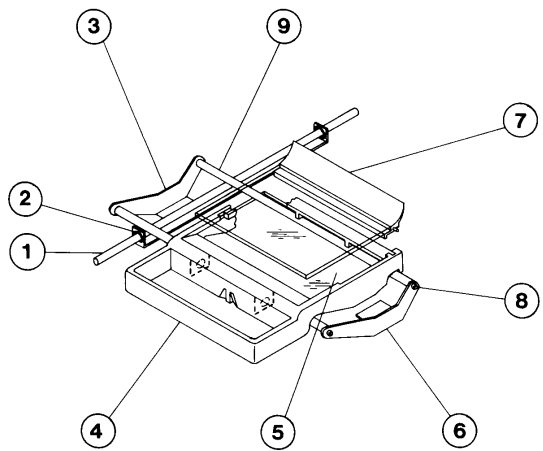
NOTE: When cleaning condenser mirror It Is recommended that a small camel hair brush be used. Utilize the same method to clean the condenser lens.



**Eye Com 1100 Dual Lens
(See Parts List on Page 7)**

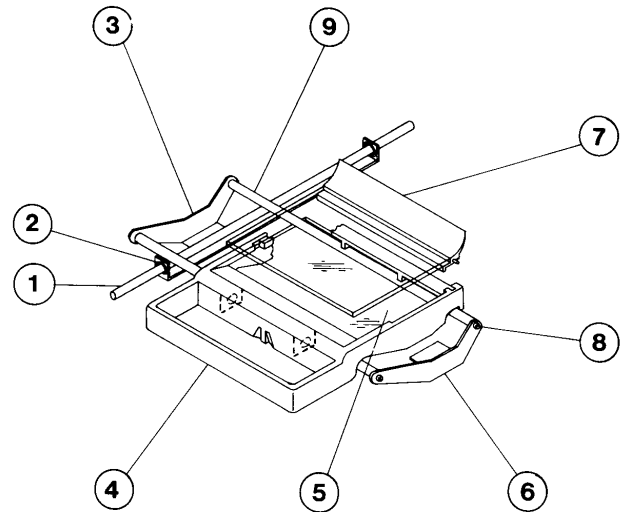
PARTS LIST
Part No. 7035, 4" x 6" Carrier Assembly

Item No.	Part No.	Description	Qty.
1	1009	Lower Slide Rod	1
2	1053	1/8 Nyliner	4
3	1001	Left Side Support	1
4	1003	4x6 Carrier	1
5	1017	4x6 Lower Glass	1
6	7006	Right Side Support	1
7	7009	4x6 Upper Glass Assembly	1
8	1078	#6-32 x 7/16 Philips Head	4
9	1010	Upper Slide Rod	2



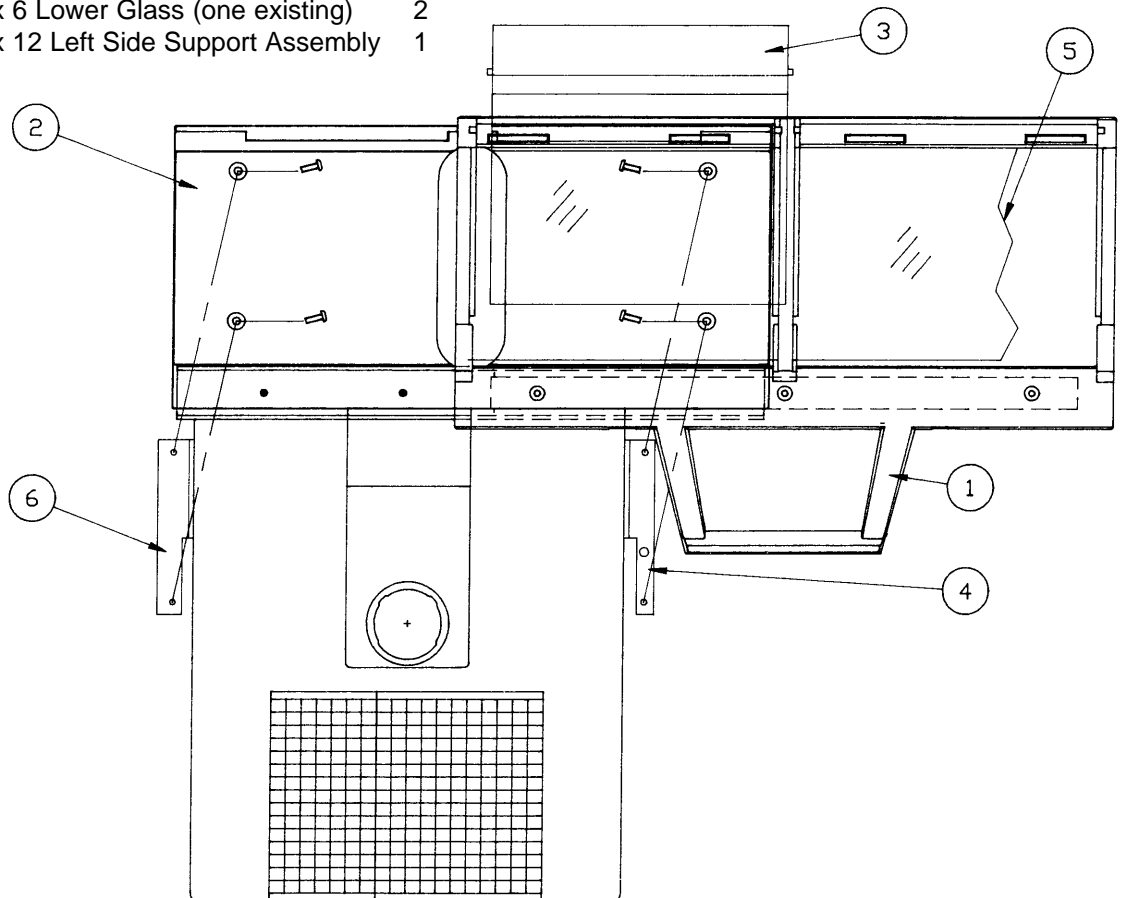
PARTS LIST
Part No. 7036, 4" x 7-3/8" Carrier Assembly

Item No.	Part No.	Description	Qty.
1	1009	Lower Slide Rod	1
2	1053	1/8 Nyliner	4
3	1202	Left Side Support	1
4	1200	4 x 7-3/8 Carrier	1
5	1204	4 x 7-3/8 Lower Glass	1
6	7019	Right Side Support	1
7	7020	4 x 7-3/8 Upper Glass Assembly	1
8	1078	#6-32 x 7/16 Philips Head	4
9	1201	Upper Slide Rod	2

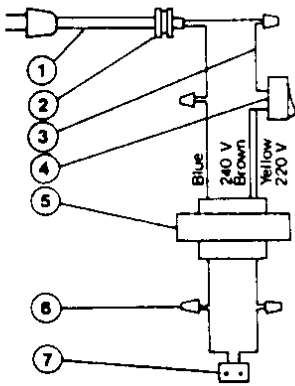
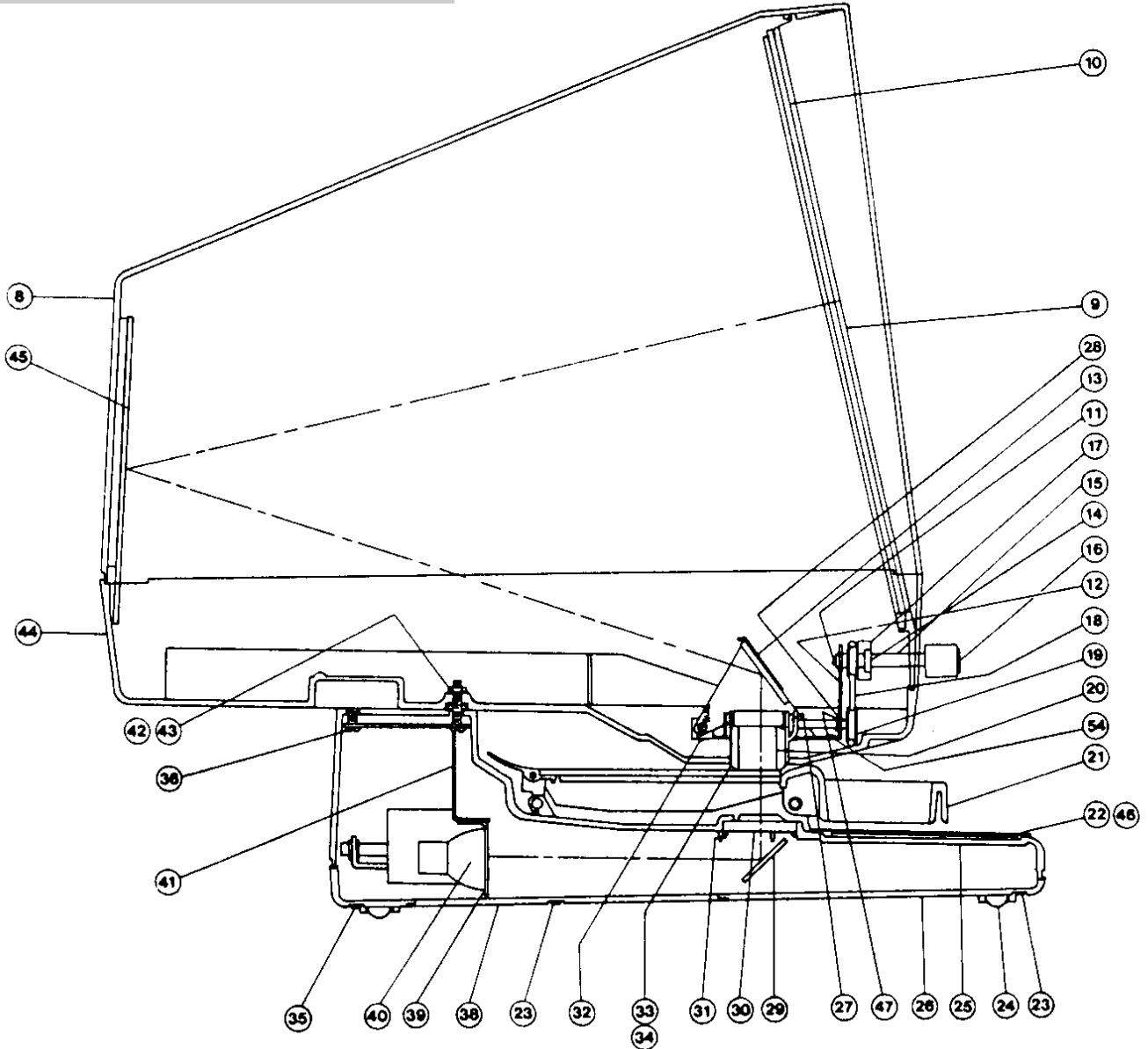


PARTS LIST
Dual Carrier Assembly
Replacement Part No. 7271

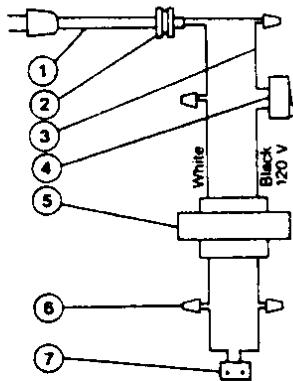
Item No.	Part No.	Description	Qty.
1	7269	Upper Dual Carrier Assembly	1
2	7270	Lower Dual Carrier Assembly	1
3	7009	4 x 6 Upper Glass Assembly (one existing)	2
4	7015	4 x 12 Right Side Support Assembly	1
5	1017	4 x 6 Lower Glass (one existing)	2
6	7014	4 x 12 Left Side Support Assembly	1



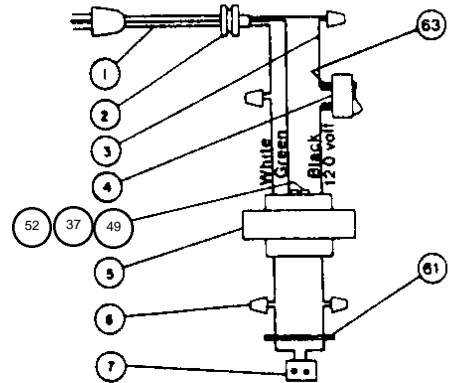
PARTS LIST
Eye Com 1100
Single Lens/Dual Lens



220/240 Volt
Wiring Diagram



120 Volt
Wiring Diagram



120 Volt
CSA Wiring Diagram

PARTS LIST
Eye Com 1100
Single Lens/Dual Lens

Item No.	Part No.	Description	Qty.
1	1056	Domestic Power Cord	1
	1058	European Power Cord	1
	1059	Australian Power Cord	1
	1060	United Kingdom Power Cord	1
	1708	CSAPower Cord	1
2	1057	Domestic Strain Relief	1
	1070	European, Australian, U.K. & CSA Strain Relief	1
3	1065	Wire Cord to Switch	1
4	1127	On-Off Switch	1
5	1008	120 Volt Transformer	1
	1055	220/240 Volt Transformer	1
6	1048	Wire Connector	4
7	1108	Domestic Lamp Socket	1
	1007	European, U.K., Australian & CSALamp Socket	1
8	2001	Upper Hood	1
9	2005	Screen, Projection	1
10	2007	Bezel (Single Lens)	1
11	1083	#6-20 x 1/4 Screw	2
12	1629	Focus Bracket	1
13	7069	Mirror Assembly	1
14	1123	Upper Focus Shaft Grommet	1
15	1630	Upper Focus Shaft	1
16	1035	Focus Knob	1
17	1116	Focus Shaft Support Bracket	1
18	1638	Focus Drive Belt	1
19	1114	Lower Focus Shaft	1
20	1129	Lens (10mm)	1
	1043	Lens (15mm)	1
	1044	Lens (17mm)	1
	1150	Lens (22mm)	1
	1149	Lens (29mm)	1
	1155	Lens (32mm)	1
21	7035	Carrier, 4 x 6	1
	7036	Carrier, 4 x 7-3/8	1
	7271	Carrier, Dual	1
22	7059	Grid (10mm) 72X	1
	7011	Grid (15mm) 48X	1
	7012	Grid (17mm) 42X	1
	7031	Grid (22mm) 24X	1
23	1082	#6 x 7/8 Hi-Riser Base Screw	4
24	1062	Rubber Foot	4
25	1004	Base - Upper Half	1
26	1005	Base - Lower Half	1
27	1115	Eccentric Universal	1
28	1052	1/16 Nylon	2
29	1534	Mirror Condenser	1
30	1611	Condenser Lens	1
31	1041	Tinnerman Clip Condenser	3
32	1066	Spring, 1st Mirror Assembly	2
33	1120	Lens Barrel, Brass	1
34	1845	Housing, Lens Barrel	1
35	1081	#6 x 1-1/8 Hi-Riser Base Screw	1
36	1135	#8-32 x 3/4 Hood Mount Screw	6
37	1143	#6 x 32 x 1-1/4 Transformer Screw (CSA)	1
38	1013	Access Door	1
39	1042	Lamp Holder	1
40	1006	Lamp	1
41	1118	Heat Sink	1
42	1077	#8-32 Nut	12
43	1110	#8 Lockwasher	8
44	2004	Lower Hood	1
45	7070	Second Mirror Assembly	1
46	1016	Grid Plate	1
47	1051	E-Ring	1
49	1132	#8 External Tooth Lockwasher (CSA)	1
52	1640	#6-32 Nut (CSA)	1
54	1642	#8-32 x 3/8 Focus Bracket Screw	4
58	1614	Screen Tab	2
61	1131	Cable Tie (CSA)	1
62	1132	#8 External Tooth Lockwasher (CSA)	1
63	1134	Heat Shrink (CSA)	2
66	1813	#6-32 x 3/8 Handle Screw	2
67	1656	Pivot Knob	1
68	1652	Rivet Bracket	1
69	1619	Pivot Spring	1
70	1655	Focus Bracket	1
71	1639	#6-32 x 1/2, Focus Bracket Screw	2
72	1840	#6-32 Nut Focus Bracket	2
73	1853	Handle, Pivot	1
74	1635	Focus Wheel	3
75	1816	Focus Shaft	1
76	1138	#6'10 x 112 Mirror Bracket Screw	4
77	1654	Mirror Bracket	1
78	1627	1st Mirror	1
79	1052	1/16 Nylon	4

PARTS LIST
Eye Com 1100
Dual Lens Assembly Only

Item No.	Part No.	Description	Qty.
10	2003	Bezel	1
11	1083	#6-20 x 1/4 Screw	4
15	1651	Upper Focus Shaft	2
17	1116	Focus Shaft Support Bracket	2
18	1636	Focus Drive Belt	2
19	1114	Lower Focus Shaft	2
27	1115	Eccentric Universal	2
34	1650	Housing, Lens Barrel	2
44	2002	Lower Hood	1
48	1652	Rivet Bracket	1
49	1619	Pivot Spring	1
51	1655	Focus Bracket	1
52	1639	#6-32 x 1/2, Focus Bracket Screw	2
53	1840	#6-32 Nut Focus Bracket	2
55	1853	Handle, Pivot	1
56	1635	Focus Wheel	3
57	1816	Focus Shaft	1
59	1138	#6'10 x 112 Mirror Bracket Screw	4
60	1654	Mirror Bracket	1
64	1627	1st Mirror	1
65	1052	1/16 Nylon	4

SERVICE PARTS & ACCESSORIES LIST**Eye Com 1100****Part No. 7035, 4" x 6" Carrier Assembly**

Description	Part No.
Lamp, 13.8 Volt, 25 Watt, FLT	1006
24X Index Grid Assembly	7031
42X Index Grid Assembly	7012
48X Index Grid Assembly	7011
Upper Glass Assembly, 4x 6 Or Dual	7009
Upper Glass Assembly, 4x7-3/8	7020
22mm Lens (24X; 100% blowback of 24X fiche)	1150
10mm Lens (54X; 75% blowback of 72X fiche)	1129
15mm Lens (36X; 75% blowback of 48Xfiche)	1043
17mm Lens (32X; 75% blowback of 42X fiche)	1044
29mm Lens (18X; 75% blowback of 24X fiche)	1149
32mm Lens (16X; 75% blowback of 21X)	1155
Access Door	1013
Viewing Screen	2005
Dustcover	2011
Ambient Light Shield	7068
Turntable	7040
Data Vu Cleaning Mist	7045
Fiche File - Standard	7064
-with lock option	7065
-with turntable option	7066
-with lock and turntable options	7067