

A MEDIA INDEPENDENT DOCUMENT MANAGEMENT COMPANY



EYE COMMUNICATION SYSTEMS, INC.

455 E. Industrial Drive

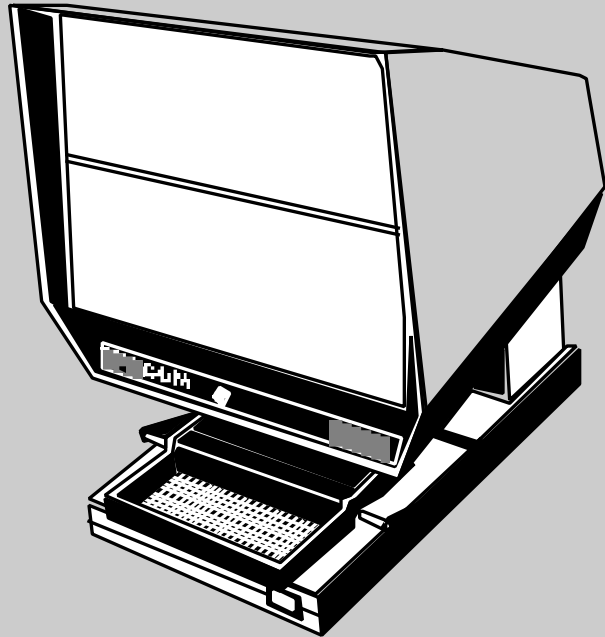
P.O. Box 620

Hartland, WI 53029 USA

(262) 367-1360 or (800) 558-2153

Fax: (262) 367-1362

www.eyecom.com



The Eye Com 1000 and Eye Com 2000 Operating and Maintenance Instructions

To ensure correct use of this equipment, please read this operating manual and keep for future reference.

Unpacking:

1. Remove top insert and lift unit from container.
2. Remove plastic enclosure.
3. Remove magnetic index grid.
4. Pull fiche carrier forward until top glass begins to open.
5. Remove the cardboard insert.
6. Remove warranty card between the carrier glass. (Fill out and return to Eye Com.)
7. Replace index grid.
8. Remove tape from viewing screen

Operating Instructions:

1. Plug in unit and turn on.
2. Pull carrier forward until glass opens.
3. Insert microfiche or jacket between upper and lower glass against rear stop and push carrier back.
4. Focus image by turning focus knob located in front, directly below viewing screen.

Lamp Replacement

(Figure 1 & 2):

1. Disconnect the power cord.
2. Remove lower glass and upper glass assembly. Then push carrier forward until it stops.
3. Tip unit on its back to expose the bottom.
4. Remove the lamp access door.

CAUTION: Allow lamp to cool before attempting to remove it.

5. Extract lamp from its holder and disconnect the socket.
6. Replace lamp with the type shown on data plate. Be careful not to touch the bulb portion of the new lamp. Oils will decrease lamp life and dim the image.
7. Replace access door. Replace lower and upper glass assembly.
8. Reconnect power cord.



Figure 1

Maintenance:

Maintenance of your Eye Com reader is limited to periodic cleaning of viewing screen, upper and lower carrier glass, lenses and mirrors.

Carrier Glass Removal and Cleaning

(Figure 3):

1. Push carrier to the rear until it stops.
2. Move carrier to its far left position.
3. Remove upper glass assembly.
4. Reach under back of the plastic carrier frame, push up and pull out lower glass.
5. Clean lower and upper glass with Data Vu Cleaning Mist.

NOTE: While the carrier glass plates are disassembled, the top of the condenser lens can be cleaned with Data Vu Cleaning Mist and a soft non-abrasive cloth.

NOTE: When reassembling carrier glass, push upward on lens barrel with the upper carrier glass.

Viewing Screen Removal and Cleaning:

1. Remove screen with screen tabs by lifting screen up and out.
2. Clean the screen with Data Vu Cleaning Mist, using a soft, non-abrasive cloth.



Figure 2



Figure 3

Objective Lens

(Figure 4):

1. With screen removed, the objective lens can be easily removed for cleaning.
2. Pivot the small mirror bracket toward the rear. (Figure 4)
3. Grasp the top of the lens with and pull it up and out.
4. Brush loose dust and dirt from the exposed lens elements with a soft brush.
5. Wipe the lens elements with a soft, non-abrasive cloth.
6. Replace the lens and pivot the mirror to its original position.
7. Replace the viewing screen.



Figure 4



Figure 5

Mirrors

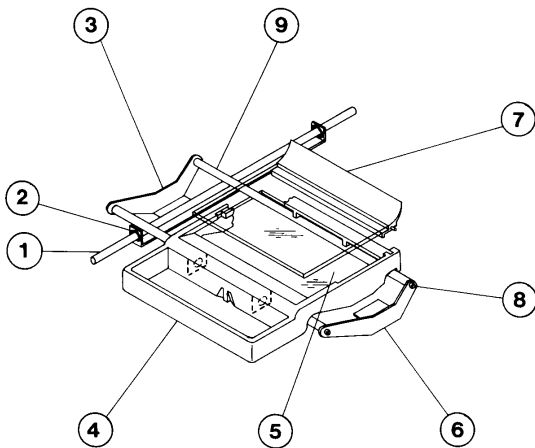
(Figure 5)

There are three mirrors in the Eye Com readers. The first mirror is located on the hinged bracket in the single lens model. The second mirror is mounted on the inside of the upper half hood. The third mirror (condenser) is located directly opposite the reader's lamp (this mirror can be reached by removing the lamp access door). The mirrors have a special front surface coating and are susceptible to scratching. To clean, use Data Vu Cleaning Mist and a soft, non-abrasive cloth.

NOTE: When cleaning condenser mirror it is recommended that a small camel hair brush be used. Utilize the same method to clean the condenser lens.

PARTS LIST
Part No. 7035, 4" x 6" Carrier Assembly

Item No.	Part No.	Description	Qty.
1	1009	Lower Slide Rod	1
2	1053	1/8 Nyliner	4
3	1001	Left Side Support	1
4	1003	4x6 Carrier	1
5	1017	4x6 Lower Glass	1
6	7006	Right Side Support	1
7	7009	4x6 Upper Glass Assembly	1
8	1078	#6-32 x 7/16 Philips Head	4
9	1010	Upper Slide Rod	2

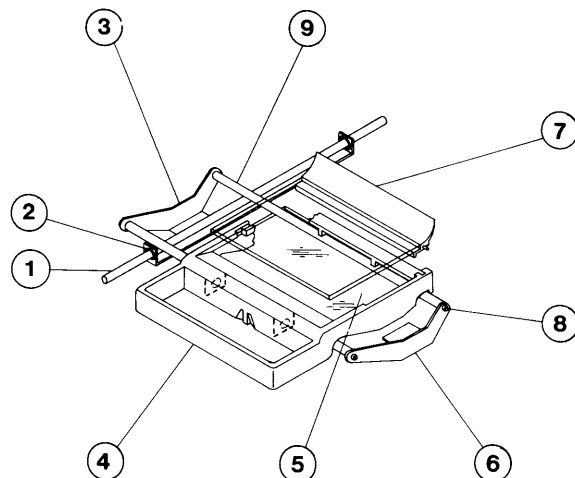


SERVICE PARTS & ACCESSORIES LIST
Part No. 7035, 4" x 6" Carrier Assembly

Description	Part No.
Lamp, 13.8 Volt, 25 Watt, FLT	1006
24X Source Index Grid Assembly	7031
42X Source Index Grid Assembly	7056
42X COM Index Grid Assembly	7012
48X COM Index Grid Assembly	7011
72X COM Index Grid Assembly	7059
Upper Glass Assembly, 4x 6 Or Dual	7009
Upper Glass Assembly, 4x7-3/8	7020
Access Door	1013
Turntable	7040
Data Vu Cleaning Kit	7045
Lenses — Eye Com 1000	
10mm Lens (54X; 75% blowback of 72X fiche)	1129
12.5mm Lens (45X; 75% blowback of 60X fiche)	1113
15mm Lens (36X; 75% blowback of 48Xfiche)	1043
17mm Lens (32X; 75% blowback of 42X fiche)	1044
22mm Lens (24X; 75% blowback of 24X fiche)	1150
29mm Lens (18X; 75% blowback of 24X fiche)	1149
32mm Lens (16X; 75% blowback of 21X)	1155
Lenses — Eye Com 2000	
10mm Lens (65X; 98% blowback of 72X fiche)	1129
12.5mm Lens (54X; 90% blowback of 60X fiche)	1113
15mm Lens (43X; 90% blowback of 48Xfiche)	1043
17mm Lens (38X; 90% blowback of 42X fiche)	1044
22mm Lens (29X; 90% blowback of 32X fiche)	1150
29mm Lens (22X; 90% blowback of 24X fiche)	1149
32mm Lens (19X; 90% blowback of 21X)	1155
Viewing Screen	
Eye Com 1000	1027
Eye Com 2000	1310
Dustcover	
Eye Com 1000	1091
Eye Com 2000	1311
Ambient Light Shield	
Eye Com 1000	7041
Eye Com 2000	7042
Fiche File - Standard	7064
-with lock option	7065
-with turntable option	7066
-with lock and turntable options	7067

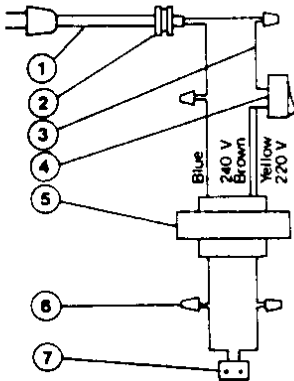
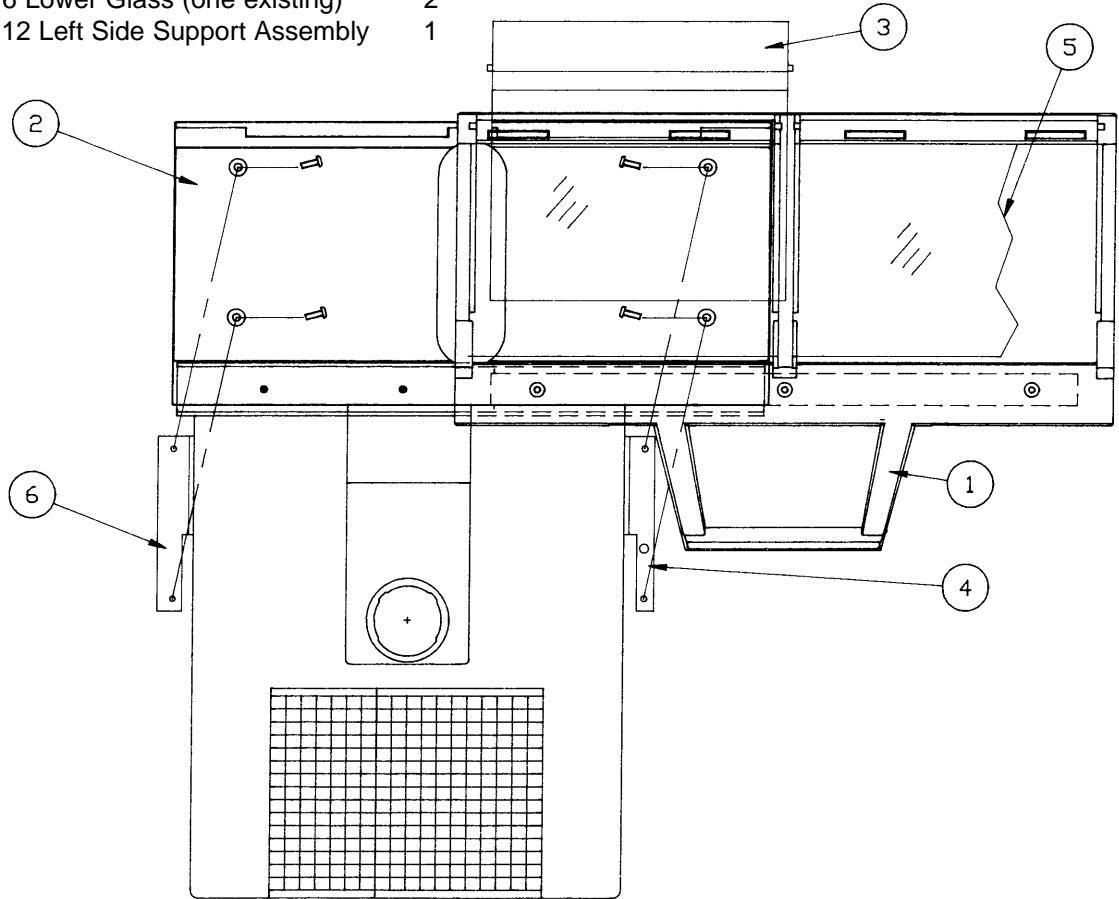
PARTS LIST
Part No. 7036, 4" x 7-3/8" Carrier Assembly

Item No.	Part No.	Description	Qty.
1	1009	Lower Slide Rod	1
2	1053	1/8 Nyliner	4
3	1202	Left Side Support	1
4	1200	4 x 7-3/8 Carrier	1
5	1204	4 x 7-3/8 Lower Glass	1
6	7019	Right Side Support	1
7	7020	4 x 7-3/8 Upper Glass Assembly	1
8	1078	#6-32 x 7/16 Philips Head	4
9	1201	Upper Slide Rod	2

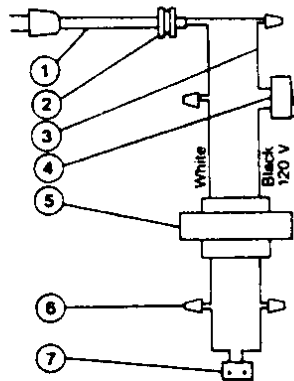


PARTS LIST
Dual Carrier Assembly
Replacement Part No. 7271

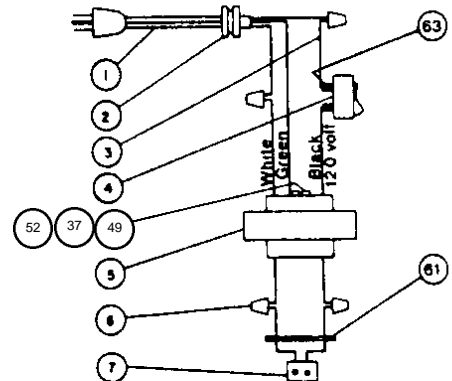
Item No.	Part No.	Description	Qty.
1	7269	Upper Dual Carrier Assembly	1
2	7270	Lower Dual Carrier Assembly	1
3	7009	4 x 6 Upper Glass Assembly (one existing)	2
4	7015	4 x 12 Right Side Support Assembly	1
5	1017	4 x 6 Lower Glass (one existing)	2
6	7014	4 x 12 Left Side Support Assembly	1



**220/240 Volt
Wiring Diagram**

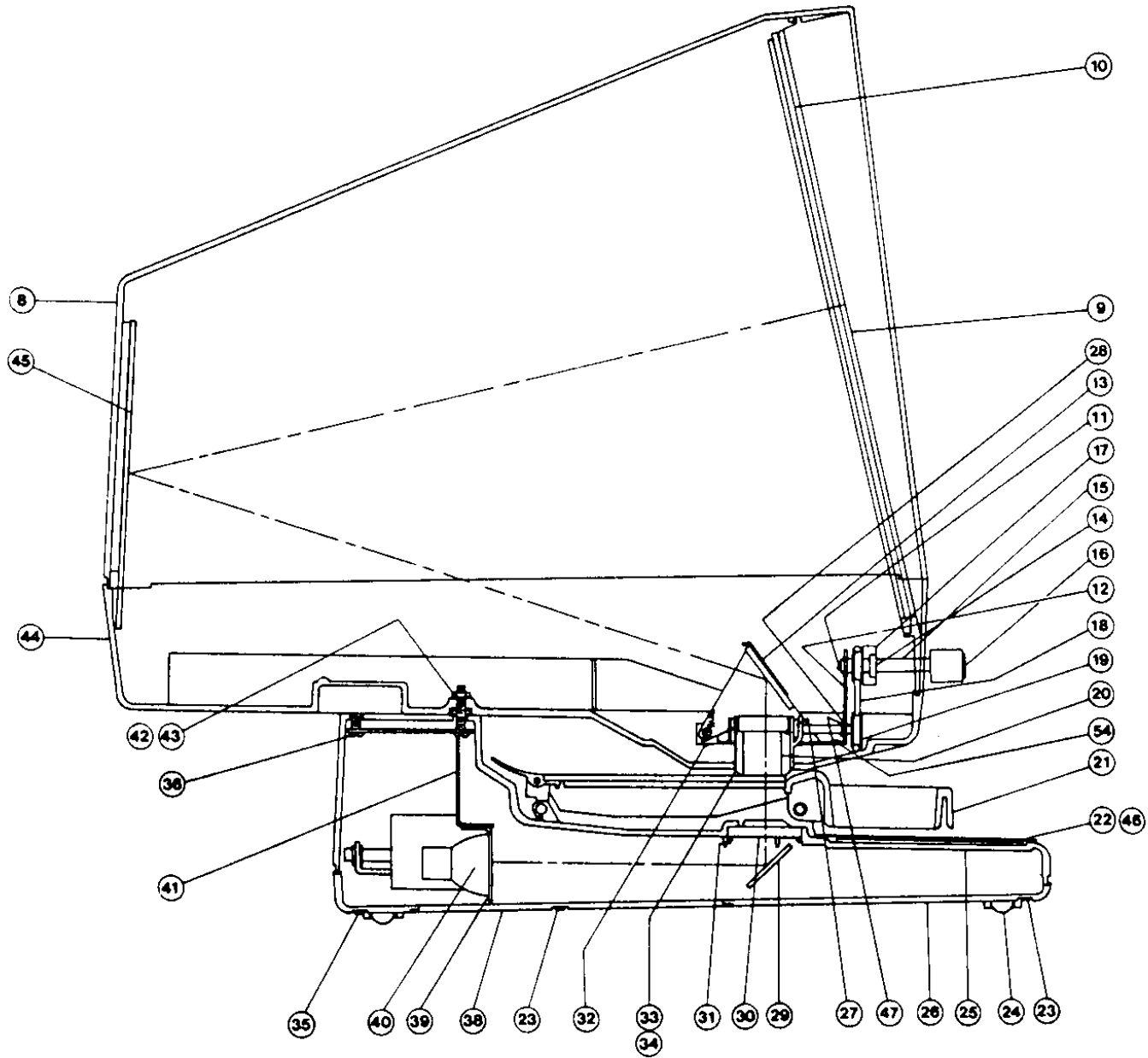


**120 Volt
Wiring Diagram**



**120 Volt
CSA Wiring Diagram**

PARTS LIST
Eye Com 1000 and Eye Com 2000



PARTS LIST
Eye Com 1000 and Eye Com 2000

Item No.	Part No.	Description	Qty.	Item No.	Part No.	Description	Qty.
1	1056	Domestic Power Cord	1	34	1645	Housing, Lens Barrel	1
	1058	European Power Cord	1	35	1081	#6 x 1-1/8 Base Screw	1
	1059	Australian Power Cord	1	36	1135	#8-32 x 3/4 Hood Mount Screw	6
	1060	United Kingdom Power Cord	1	37	1143	#6 x 32 x 1-1/4 Transformer	
	1708	CSAPower Cord	1			Screw (CSA)	1
2	1057	Domestic Strain Relief	1	38	1013	Access Door	1
	1070	European, Australian, U.K. & CSA Strain Relief	1	39	1042	Lamp Holder	1
				40	1006	Lamp	1
3	1065	Wire Cord to Switch	1	41	1118	Heat Sink	1
4	1127	On-Off Switch	1	42	1077	#8-32 Nut	12
5	1008	120 Volt Transformer	1	43	1110	#8 Lockwasher	8
	1055	220/240 Volt Transformer	1	44	1025	Lower Hood, EC1000	1
6	2180	Wire Connector	4		1300	Lower Hood, EC2000	1
7	1108	Domestic Lamp Socket	1	45	7010	Second Mirror, EC 1000	1
	1007	European, U.K., Australian & CSALamp Socket	1		7021	Second Mirror, EC2000	1
				46	1016	Grid Plate	1
8	1026	Upper Hood, EC1000	1	47	1051	E-Ring	1
	1301	Upper Hood, EC2000	1	48	1131	Cable Tie (CSA)	1
9	1027	Screen, Projection, EC1000	1	49	1132	#8 External Tooth Lockwasher (CSA)	1
	1310	Screen, Projection, EC2000	1				
10	1028	Bezel, EC1000	1	50	1134	Heat Shrink (CSA)	2
	1302	Bezel, EC2000	1	51	1642	#8-32 x 3/8 Screw	4
11	1083	#6-20 x 1/4 Screw	2	52	1640	#6-32 Nut (CSA)	1
12	1113	Focus Bracket	1				
13	7024	1st Mirror Assembly	1				
14	1123	Upper Focus Shaft O-Ring	1				
15	1032	Upper Focus Shaft	1				
16	1035	Focus Knob	1				
17	1116	Focus Shaft Support	1				
18	1034	Focus Drive Belt	1				
19	1114	Lower Focus Shaft	1				
20	1129	Lens (10mm)	1				
	1113	Lens (12.5mm)	1				
	1043	Lens (15mm)	1				
	1044	Lens (17mm)	1				
	1150	Lens (22mm)	1				
	1149	Lens (29mm)	1				
	1155	Lens (32mm)	1				
21	7035	Carrier, 4 x 6	1				
	7036	Carrier, 4 x 7-3/8	1				
	7271	Carrier, Dual	1				
22	7059	Grid 72X (10mm)	1				
		Grid 60X (12.5mm)	1				
	7011	Grid 48X (15mm)	1				
	7012	Grid 42X (17mm)	1				
		Grid 32X (22mm)	1				
	7031	Grid 24X (29mm)	1				
		Grid 21X (32mm)	1				
23	1082	#6 x 7/8 Base Screw	4				
24	1062	Rubber Foot	4				
25	1004	Base - Upper Half	1				
26	1005	Base - Lower Half	1				
27	1115	Eccentric Universal	1				
28	1052	1/16 Nyliner	2				
29	1534	Condenser Mirror	1				
30	1611	Condenser Lens	1				
31	1041	Tinnerman Clip Condenser	3				
32	1066	Spring, 1st Mirror Assembly	2				
33	1120	Lens Barrel, Brass					

